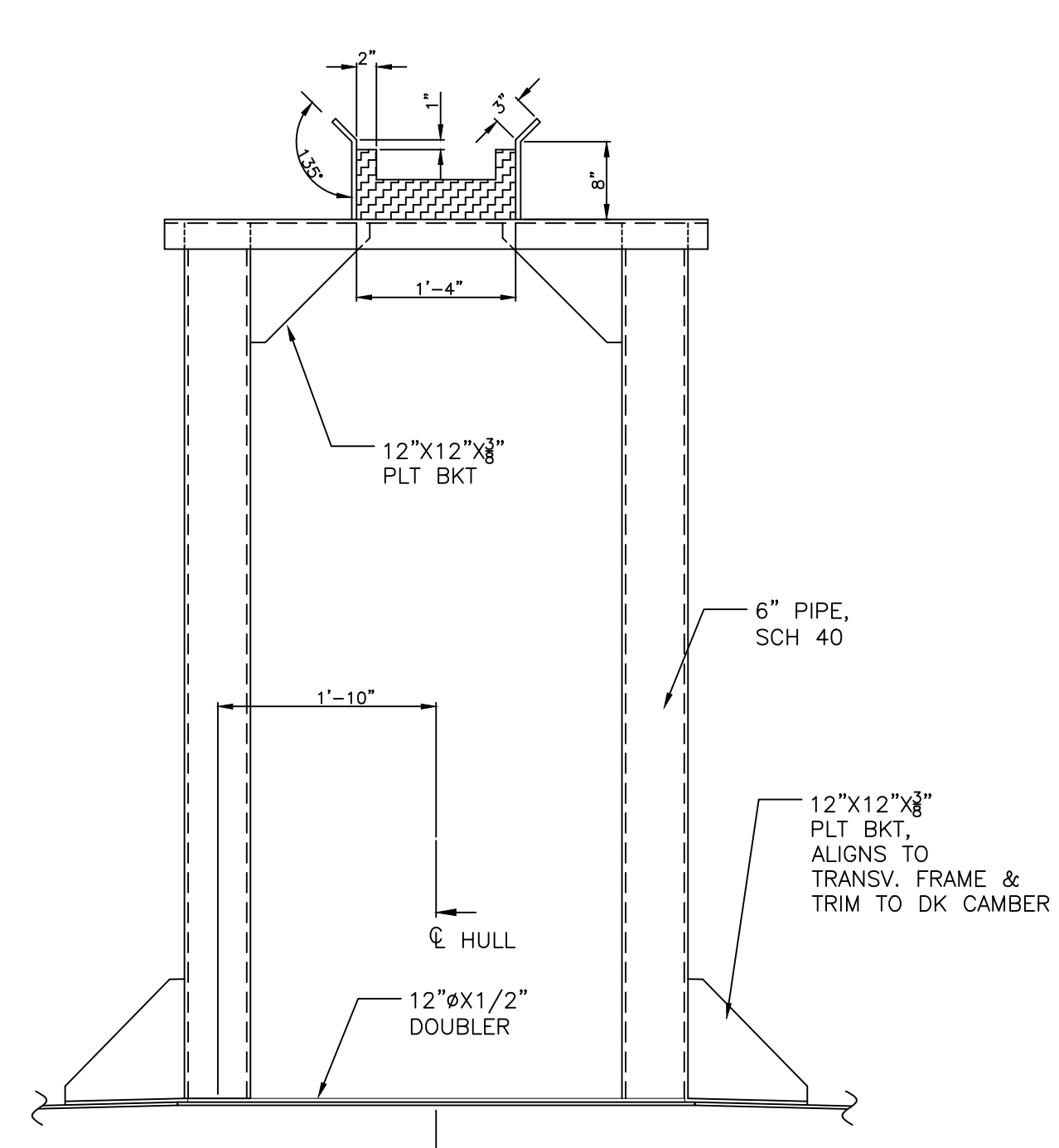
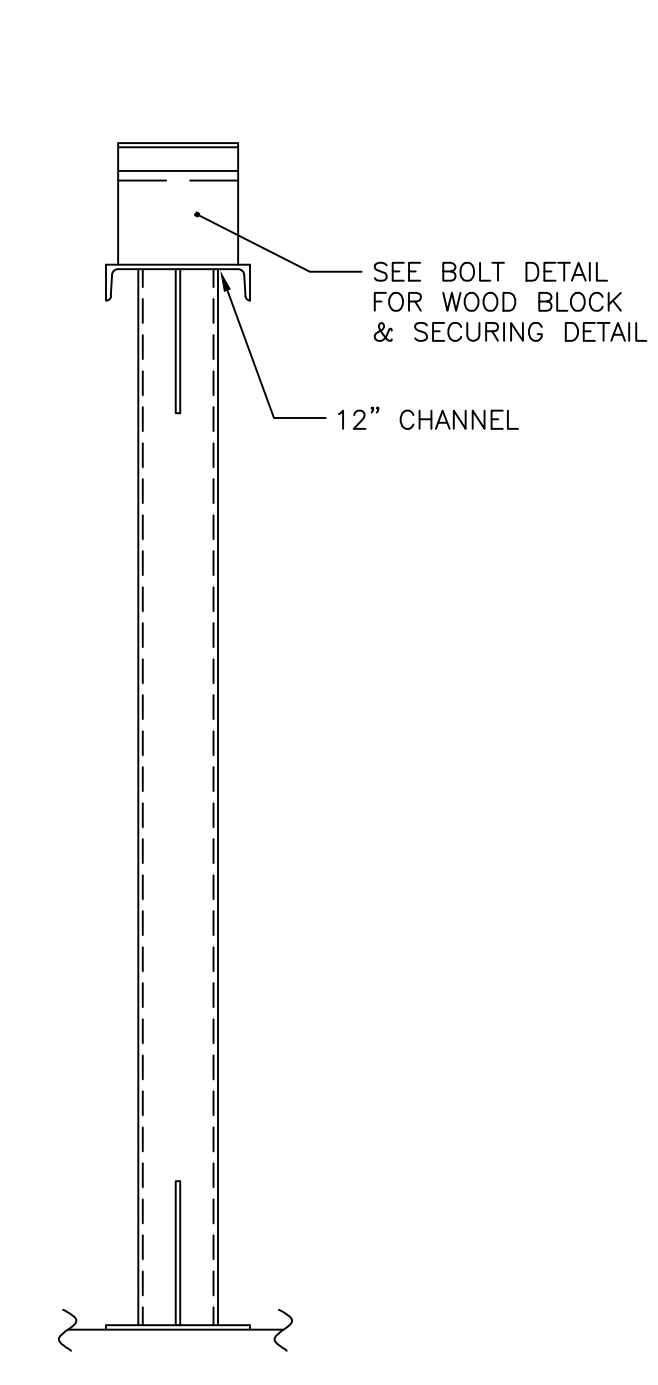


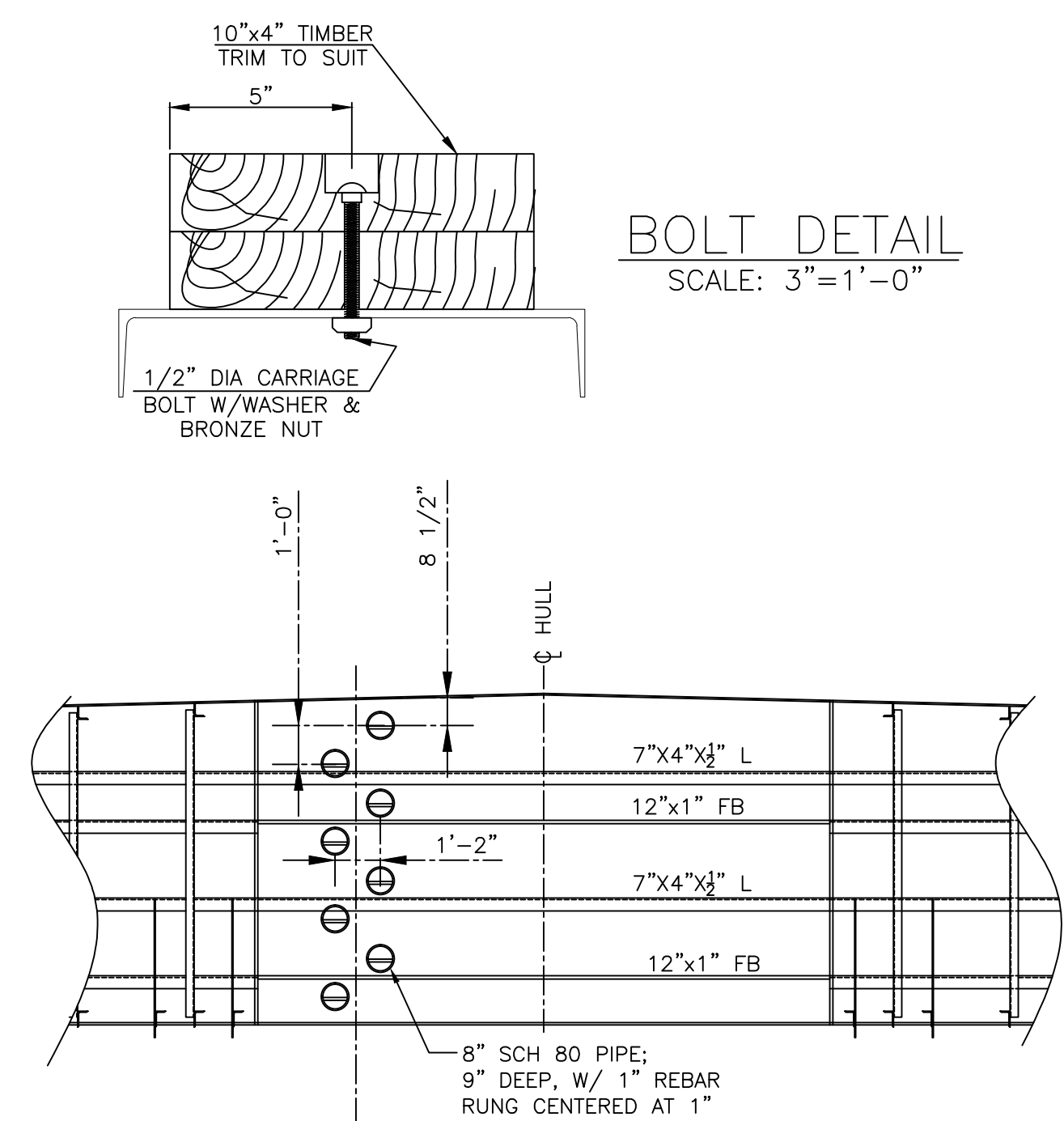
| REVISIONS | | | |
|-----------|-------------|------|----|
| REV. | DESCRIPTION | DATE | BY |
| | | | |



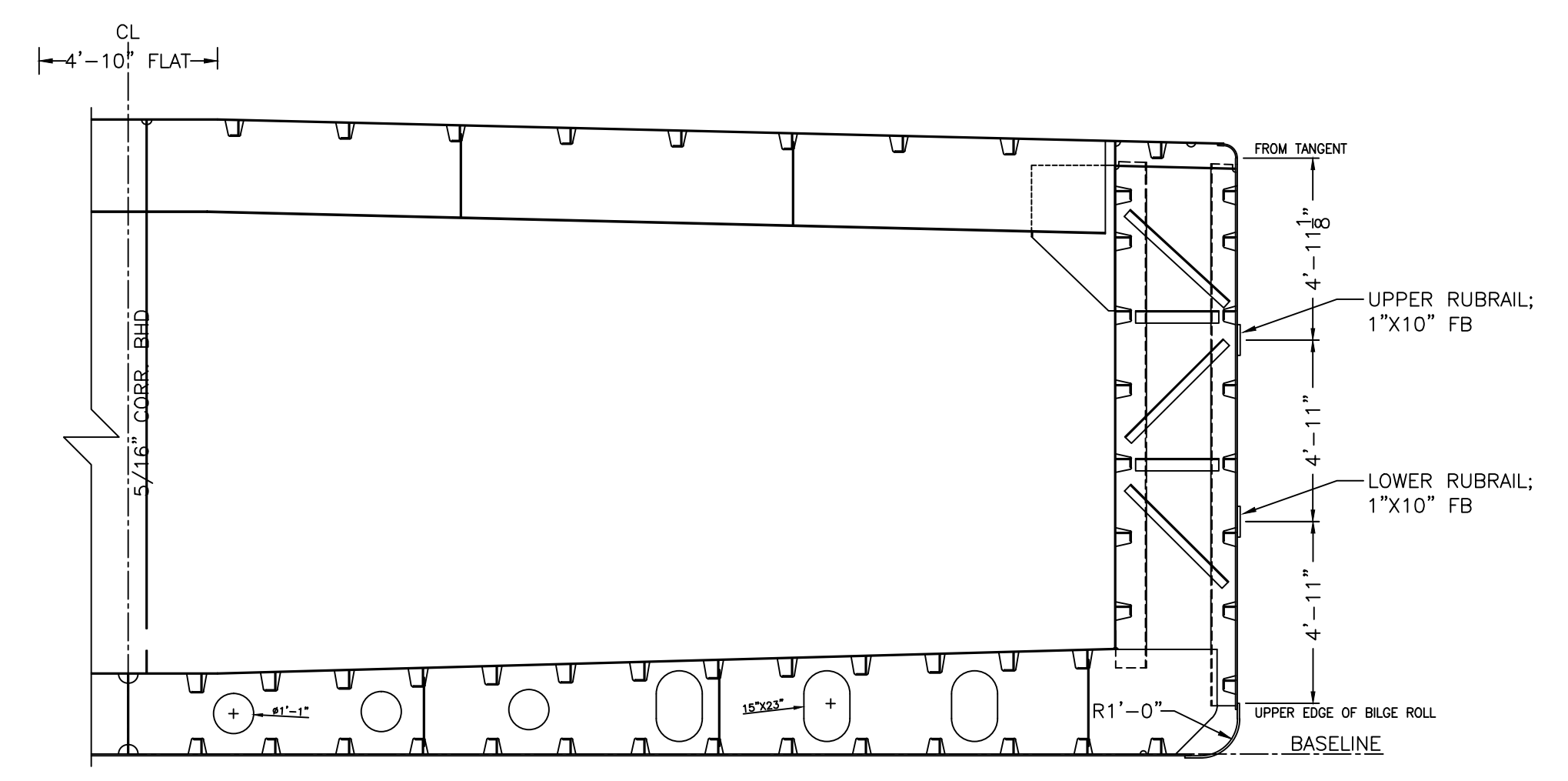
ELEVATION OF BOOM REST
SCALE: 3/4"=1'-0"



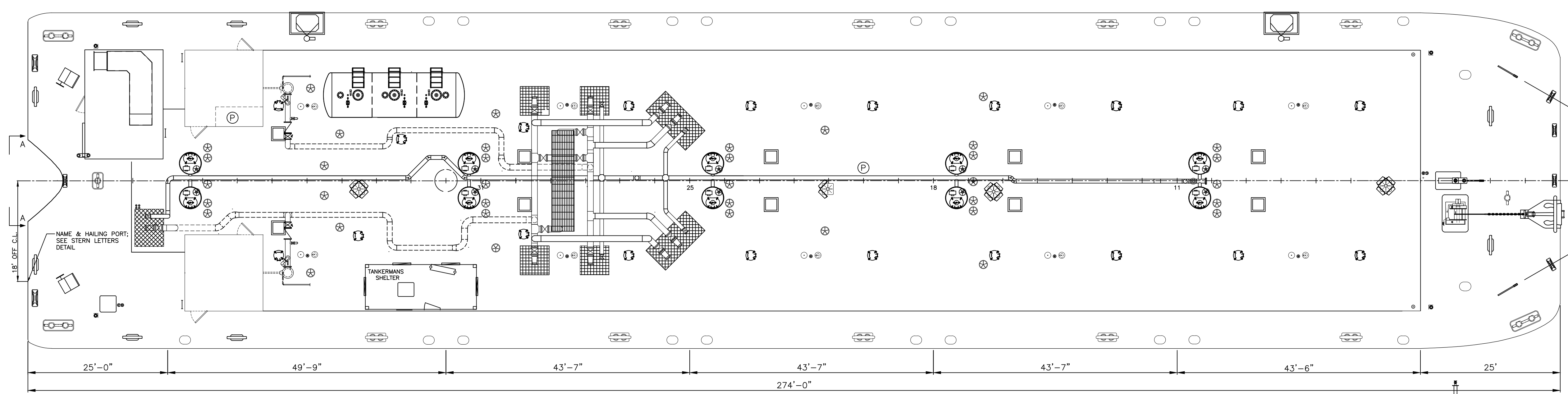
PROFILE OF BOOM REST
SCALE: 3/4"=1'-0"



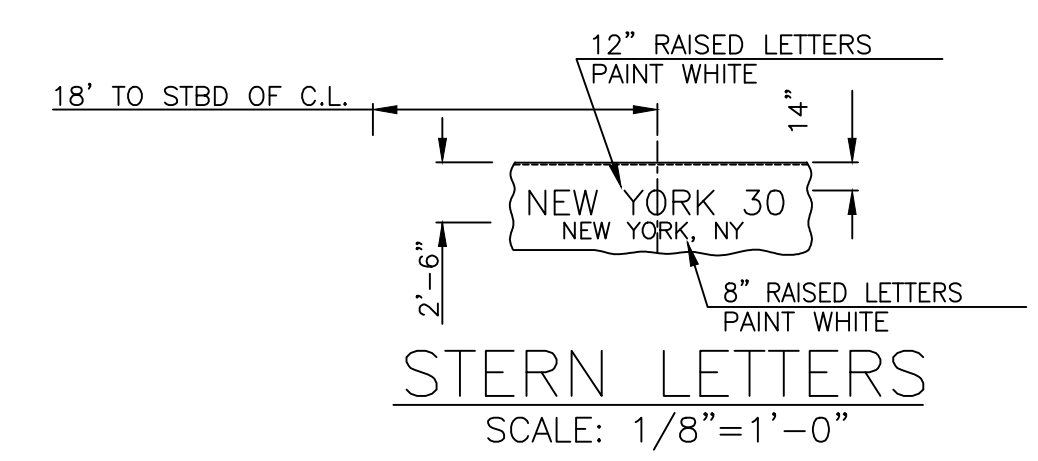
SECTION A-A
BOARDING LADDER APPROX. LAYOUT
MUST BE FIELD FIT AFTER STERN NOTCH STRUCTURE INSTALLED
SCALE: 1/4"=1'-0"



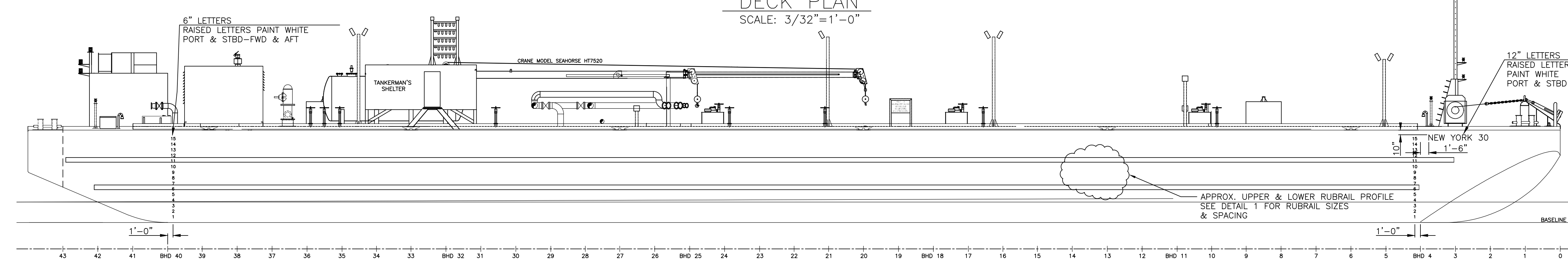
DETAIL 1
RUBRAIL LAYOUT ON SIDE SHELL
SCALE: 1/4"=1'-0"



DECK PLAN
SCALE: 3/32"=1'-0"



STERN LETTERS
SCALE: 1/8"=1'-0"



OUTBOARD PROFILE
SCALE: 3/32"=1'-0"

| NO | DESCRIPTION | DWG NO | | | | |
|---|-------------|--------|----------|----------|-------------|-----------------|
| REFERENCES | | | | | | |
| This drawing, design concept, and specifications are the property of ENTECH DESIGNS LLC. and are furnished on a confidential basis with an expressed understanding that they will not be copied in any manner, used for manufacture, sold, transferred, nor used to the detriment of said firm without written permission. The recipient further agrees not to disclose their contents to any other party except for the specific purposes contracted for with ENTECH DESIGNS LLC. | | | | | | |
| ENTECH DESIGNS LLC. TEL: (985) 868-5524 • FAX: (985) 857-9032 PROFESSIONAL ENGINEERS – NAVAL ARCHITECTS | | | | | | |
| ST. JOHNS SHIPBUILDING 274' x 60' x 16'-6" – 30,000 BBL TANK BARGE CRANE BOOM REST, BOARDING LADDER, HULL MARKING & RUBRAILS DETAILS | | | | | | |
| DWG. BY | CHKD. BY | DATE | SCALE | HULL NO. | DRAWING NO. | SHEET |
| SWT | KJ | 4-6-15 | AS NOTED | 057 | 505-S12-01 | 1 OF 1 REV - |